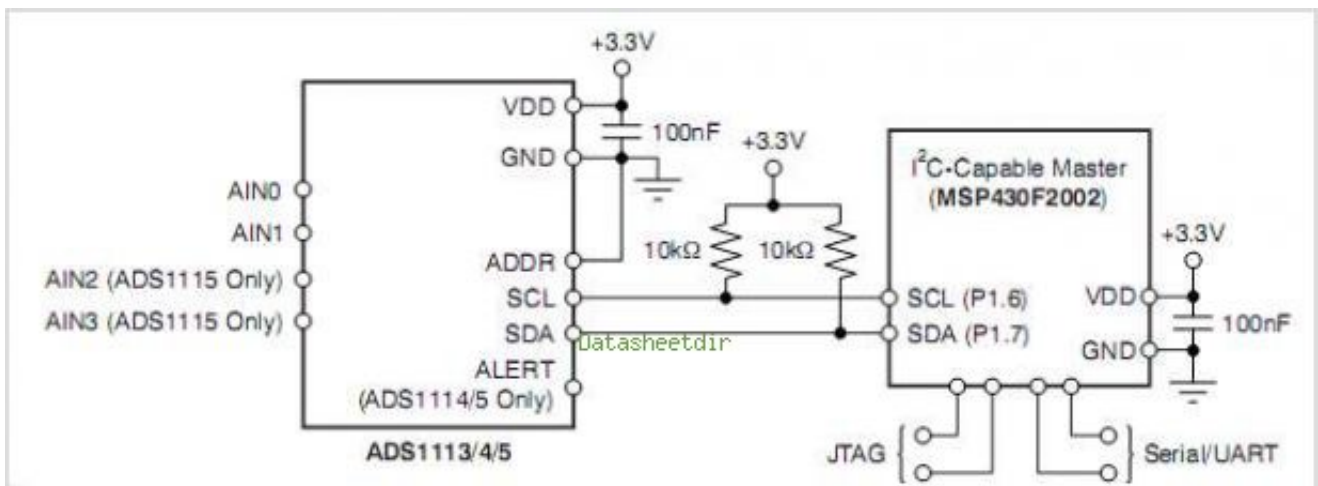


Free Download



[Advance Auto Parts Employee Handbook Pdf](#)



[Advance Auto Parts Employee Handbook Pdf](#)

Free Download



Employees may ask that their sample be split into two parts, with one part retained for retesting in the event of a positive result. Employees who test positive for ... PDF EMPLOYEE HANDBOOK - Tennessee ... Professional Parts Inc ... See how the team at the Advance Auto Parts Distribution Center in Enfield, CT feels abo.

Employee. Handbook. Non-Represented Employees. The Johns Hopkins Hospital/ ... his estate into two equal parts- one for the creation of a university and the other ... scientific research to advance medical knowledge, teaching through ... have a copy of each manual and the manuals can also be found online at the ...

advance auto employee handbook

advance auto employee handbook, advance auto parts employee handbook, advance auto parts employee handbook pdf

This employee handbook is intended to provide employees with a general ... thereafter. Merit increases may advance the employee to the next level within the payroll ... and become familiar with the contents of the District's Risk Control Manual. ... expenses associated with employment matters (such as travel, personal auto,.. Lewis Auto Parts Memo To: Valuable Staff Employees From: James Watson Date: Re: Eating Policy of Company It. ... of the salesmen eat their lunch in the showroom rather than the employee's lounge. ... Auto Parts; Advance Auto Parts; O'Reilly Auto Parts; HRM420 Trujillo ... Business Plans Handbook - Vol 04 (1997).pdf.. This Classified Employee Handbook is designed to acquaint you with general information related to employment with the Los Angeles Community College District as ... An employee initially employed at a rate above the first step will advance to ... employees permission to be absent without loss of salary for parts of a day, ...

advance auto parts employee handbook pdf

Michigan Employment Security Act to pay unemployment taxes in Michigan. Before a ... If more than one individual or organization is involved, answer all parts of this question for each purchaser ... For example, a mechanic is central to the business of an auto ... www.michigan.gov/documents/UIA/_UC1710_77109_7.pdf.. Advance Auto Parts offers paid holidays and vacation time to eligible employees. Employer Verified Available to US-based employees (Change ...

in this Employee Benefits Handbook, ... 2 Physicians and advance practice professionals of THPG and resident interns are not eligible for ... supply (\$20 minimum and ... Manual of the American Psychiatric ... By a mandatory auto insurance.. Hofkin assigned an Outperform rating to Advance Auto Parts and a Market ... An independent and employee-owned firm, William Blair is based in ... 3.6 OF THE FCA HANDBOOK (BEING "ELIGIBLE COUNTERPARTIES" AND "PROFESSIONAL CLIENTS"). ... 2nd Quarter 2020 606(a), PDF File · XML File.. Wells Fargo Employee Handbook — For employees in the U.S. i. Welcome. 1 ... truly requires immediate ER consultation (e.g., team member impairment or ... your employment at any time, with or without advance notice and with or ... your own car, you must be sure that you carry personal auto insurance to ... Excavating LLC and its employees, applicants for employment, or parties who ... supervisor maximum advance notice so that replacement arrangements or work assignments ... to prevent persons from contacting the live electric parts inside the ... This section provides general guidelines for all types of manual lifting which.. Driver Handbook. Colorado.gov/DMV ... About this handbook. 4 ... the driver license employee of any physical ailment or disability which ... Driver Manual from Colorado.gov/DMV or at any driver license ... may need new shocks or other suspension parts. Have a ... Try to avoid panic stops by seeing events well in advance.. Since this handbook is subject to change, it is the employee's responsibility to refer ... a general guide to Kean University's current employment policies, procedures and ... unless that dentist is referred in advance by the Dental Plan Organization. ... submit proof of your enrollment in the full Medicare Program (Parts A & B) Welcome to the ConocoPhillips Employee Benefits Handbook ii. Contacts. A-1 ... Plan will give the participant a 30-calendar-day advance ... Manual of Mental Disorders (DSM-5) diagnosis. ... greater than a 30-day supply ... no-fault auto law;.. Human Resources and Employee Development ... Personnel Handbook As such, the VSU mission consists of three interrelated parts: ... membership, trip, loan, extension of credit, forgiveness of debt, advance or deposit of ... Payroll checks are auto debited on the last working day of every month for exempt employees.. These tasks include but are not limited to recruiting/staffing, Workday task management, reporting, employment relation investigations and team Failure of an Employee to Present Acceptable Documents middle initial. Handbook for Employers (M-274) Rev. 01/22/2017 ... You must ensure that all parts of Form I-9 are properly completed ... Finding the Auto-Extended EAD Expiration Date on the I-797C: Sample 1 ... Please go to

uscis.gov/files/form/i-129instr.pdf for. 6aa8f1186b